



111 HIGGINS STREET • WORCESTER, MA 01606
TELEPHONE: 508-853-2200 • FAX: 508-854-3377

FACTORY SALES & SERVICE BULLETIN

CATEGORY: **FORM #:** 2011-3DB
TRUCK SNOWPLOWS

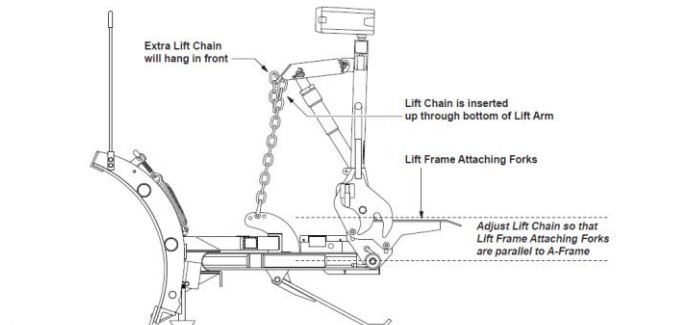
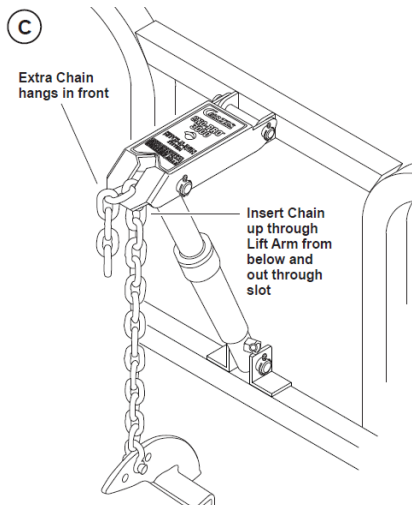
MODEL:
Sno-Pro™ 3000 Steel & Poly and Home Pro

SERIAL #:	DATE:
N/A	8-1-11

SUBJECT:
Proper Chain Routing Through Lift Arm

Issue:

This bulletin will serve as notice on an update to both the Sno-Pro™ 3000 Series & Home Pro Series Assembly Instructions. Below are two diagrams pulled directly from the assembly manual showing proper routing of the lift chain through the lift arm. As shown in the diagrams the chain should be properly routed up through the bottom of the lift arm with remaining chain slack resting towards the front of the lift arm. Improper routing may cause lift arm wear or damage. Please update any appropriate personnel on this Service Bulletin.



Section 9. X Height Procedure (Pg 24)

Figure 14. Lift Arm Mounting (Pg 20)

Updated Instructions Available at: www.SnoProPlows.com

For all questions or technical issues, please contact Angelo in our Truck Plow Support Department at 800.343.7676 Ext. 3042 or after hours at 508.340.8224